



TENSION STRUT BALL JOINT KIT INSTALLATION INSTRUCTIONS

PART NUMBER D280-0023

APPLICATION: F97 X3M

PARTS LIST

Qty	Part #	Description
2	D282-0042	Cap
1	D282-0044	Cap Tool
4	D282-0043	Spacer
2	D283-0036	Ball Joint Holder Assembly
1	D281-0003	609 Loctite

Congratulations for being selective enough to use a Dinan Ball Joint Kit. We have spent many hours developing this kit to assure that you will receive maximum performance and durability with minimum difficulty in installation. Please take the time to read these instructions and call us if you have any difficulties during the installation.

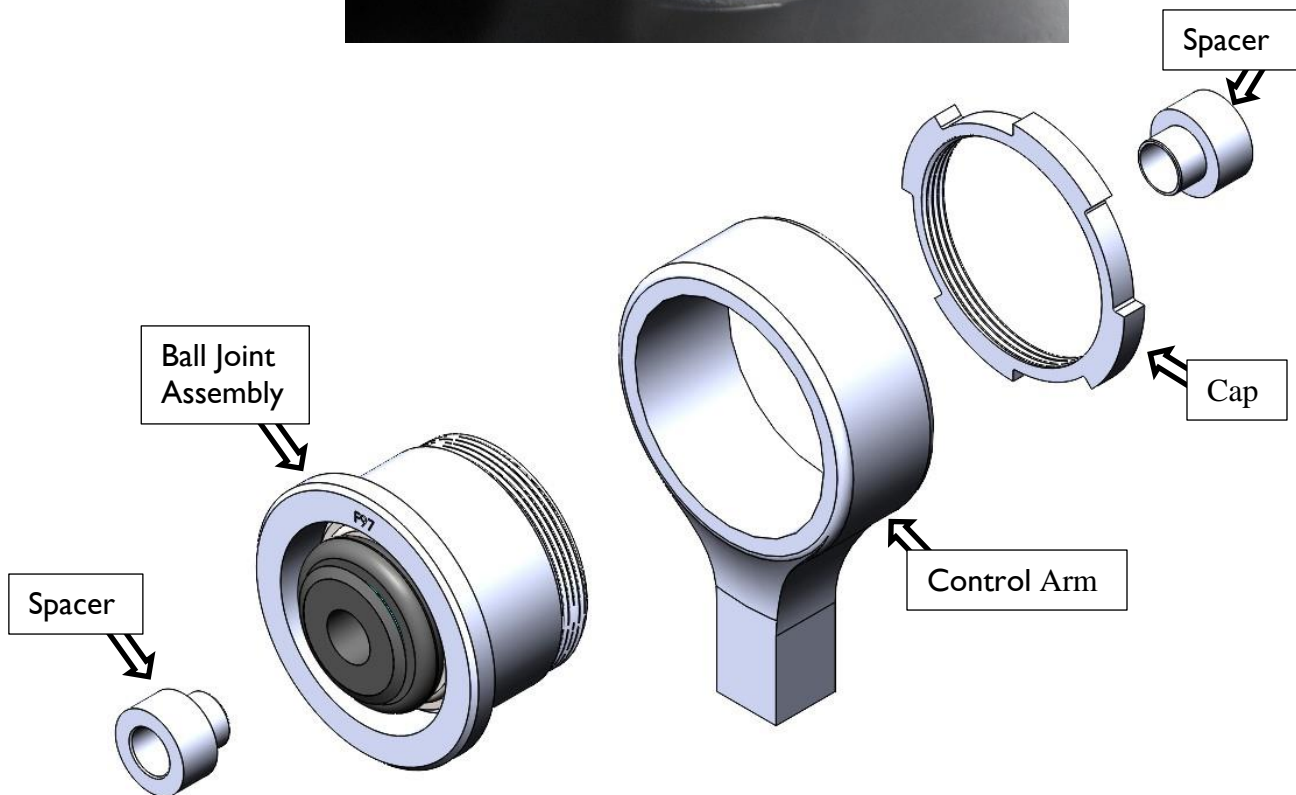
DO NOT WORK ON VEHICLES SUPPORTED BY A JACK ONLY. USE SECURE JACK STANDS!

INSTALLATION:

1. Remove the front Tension-Compression Arms per BMW recommended procedure 31 12 050. Press out the stock rubber bushing using a suitable tool. BMW procedures can be found @ bmwtechinfo.com
2. Clean out the bore with some soap and scotch-brite. The bore needs to be very clean and dry.
3. Secure arm in vice and apply some Loctite 609 Retaining Compound (included in kit) to the outer bore of the Dinan monoball carrier. Use enough to cover most of the surface.



4. See figure below. Slide the carrier into the bore in the arm with a slight turning motion to further spread the Loctite around. It does not matter from which side of the arm you install the carrier, but it is preferred if both sides of the car were the same. The carrier should sit flush against the surface of the control arm.



5. Install the Dinan retaining cap onto the arm. Put a small amount of Loctite on the internal threads of the cap and torque to 110 foot-pounds to secure the retaining cap. A special Dinan cap tool is included in every kit. This tool is used with a 1/2" torque drive. Set torque wrench to 110 foot-pounds and do not concern yourself with a conversion factor. See figure below.



6. Once tightened properly, install the spacers into the ball joint on each side.
7. Install the arms to the car using the stock bolts & nuts (replace as necessary).
8. Torque the bolts per BMW recommended procedure. NOTE: The ball joint bolts must also be angle torqued per BMW specification!
9. Enjoy!