

Thank you for being selective enough to choose a Dinan Exhaust Valve Remote. The Dinan team has spent many hours developing this product to assure that you will receive increased performance, durability and an aesthetic design that you as a customer will be able to enjoy for many years. Ease of installation and maintenance is important to us and has been highly considered throughout the design process.

Prior to performing the installation, familiarize yourself with these instructions as it should help you with the process. If you feel that you do not have the required skills or tools, please arrange for a qualified repair facility to perform the installation.

If you have any difficulties during the installation, or if these instructions are not clear to you, please call Dinan's Technical Support Staff at (800) 341-5480.

Again, thank you for choosing Dinan. Enjoy.

Installation Instructions

R660-0001 EXHAUST VALVE REMOTE

Document Revision: B
Release Date: 7/10/2020

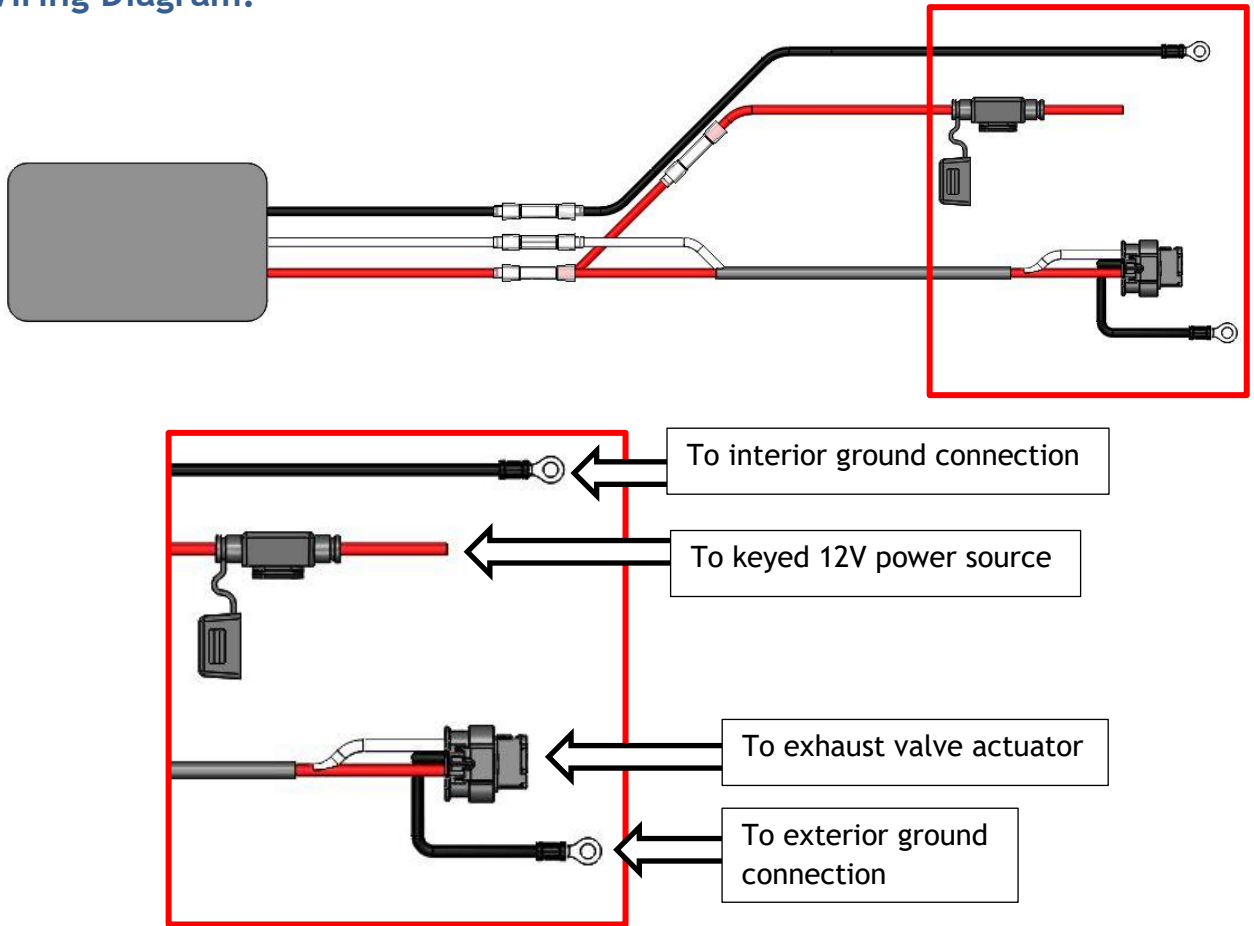
Table of Contents

Parts List:	2
Wiring Diagram:	2
Installation:	3

Parts List:

Quantity	Part #	Description
1	D662-0643	EXH VALVE FOB + CONTROLLER
1	D662-0654	EXH VALVE HARNESS; MAIN
1	D662-0655	EXH VALVE HARNESS; POWER
1	D662-0656	EXH VALVE HARNESS; GROUND
1	ELO-501	RED SCOTCHLOK CONNECTOR
4	DT441-0022	VELCRO STRIP
6	D502121	5" TIE STRAP

Wiring Diagram:



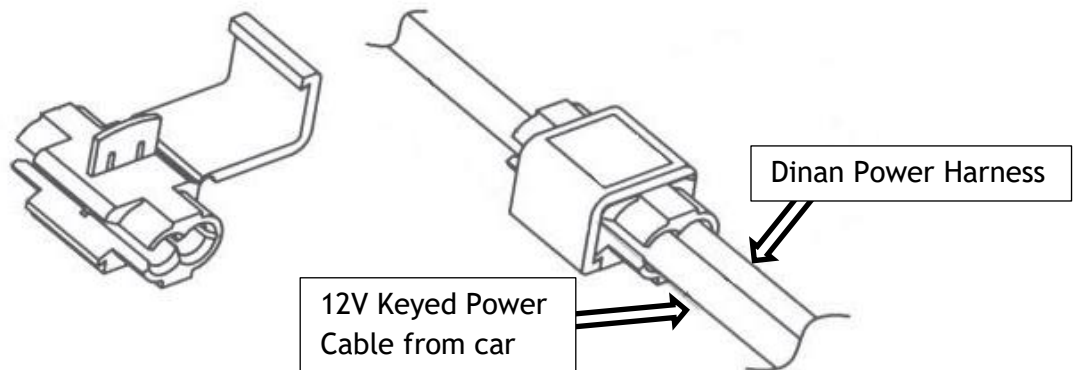
Installation:

- 1) Disconnect the stock exhaust valve actuator plug.
 - a. Plug the Dinan main harness into the exhaust valve actuator.
 - b. A suggested location for the Dinan main harness ground eyelet is a nearby hanger mount.
 - c. Support the exhaust and remove the nut for the hanger mount near the valve.
 - d. Lightly sand and clean the hanger mount and attach the short ground cable to the hanger mount.
 - e. Torque the hanger nut back in place.



- f. If there is no accessible hanger, locate a ground lug or other suitable grounding location under the car to attach the ground eyelet.
 - g. Near the exhaust valve, find a suitable hole in the body of the car to feed the main harness through to the interior.
 - h. Feed the connector plugs into the hole and install the grommet into the hole. Make sure there is at least 1 inch of slack remaining in the cable attached to the valve actuator, and that the cable is not contacting anything sharp or hot
 - i. Place the stock valve plug out the way and secure it, making sure the cable is not contacting anything sharp or hot.
- 2) In the interior of the car, carefully remove any paneling to allow for access to the wires.
 - a. Locate the wires you fed through in step 1 and pull them into the interior.
 - b. Locate the control box in your provided kit and attach to the red and white wires of the Dinan main harness.
 - c. Secure the control box to a suitable location with the supplied Velcro or Zip Ties.
- 3) Plug the Dinan power harness into the control box as shown in the diagram on page 2.
 - Run the wire from the control box towards a 12V keyed power source, routing the wires behind any paneling, using zip ties to secure the wires. Potential sources include a trunk compartment light or a 12V power socket. The power source must be keyed to prevent battery drain when the engine is off.

- 4) Attach the Dinan power harness to the 12V keyed power source.
 - a. Use the provided Scotchlok adaptor to splice the Dinan Power Harness to the 12V keyed power source cable.
 - b. Place the 12V keyed power wire inside the appropriate channel.
 - c. Insert the red Dinan Power Harness into the other side of the Scotchlok.
 - d. Crimp the metal tab onto both wires until it is flush with the top of the Scotchlok.
 - e. Close hinged top cover until latched.



- 5) Locate a ground lug or other suitable grounding location.
 - a. Attach the Dinan ground harness to the lug and plug the wire into the control box.
 - b. Make sure you have a good contact on the lug and secure the eyelet.
- 6) Check all wiring connections, attach zip ties where needed, and reinstall any interior panels.
- 7) Power the car on and test the key fob remote to ensure both the remote and the valve are functioning correctly.
- 8) Installation is complete.